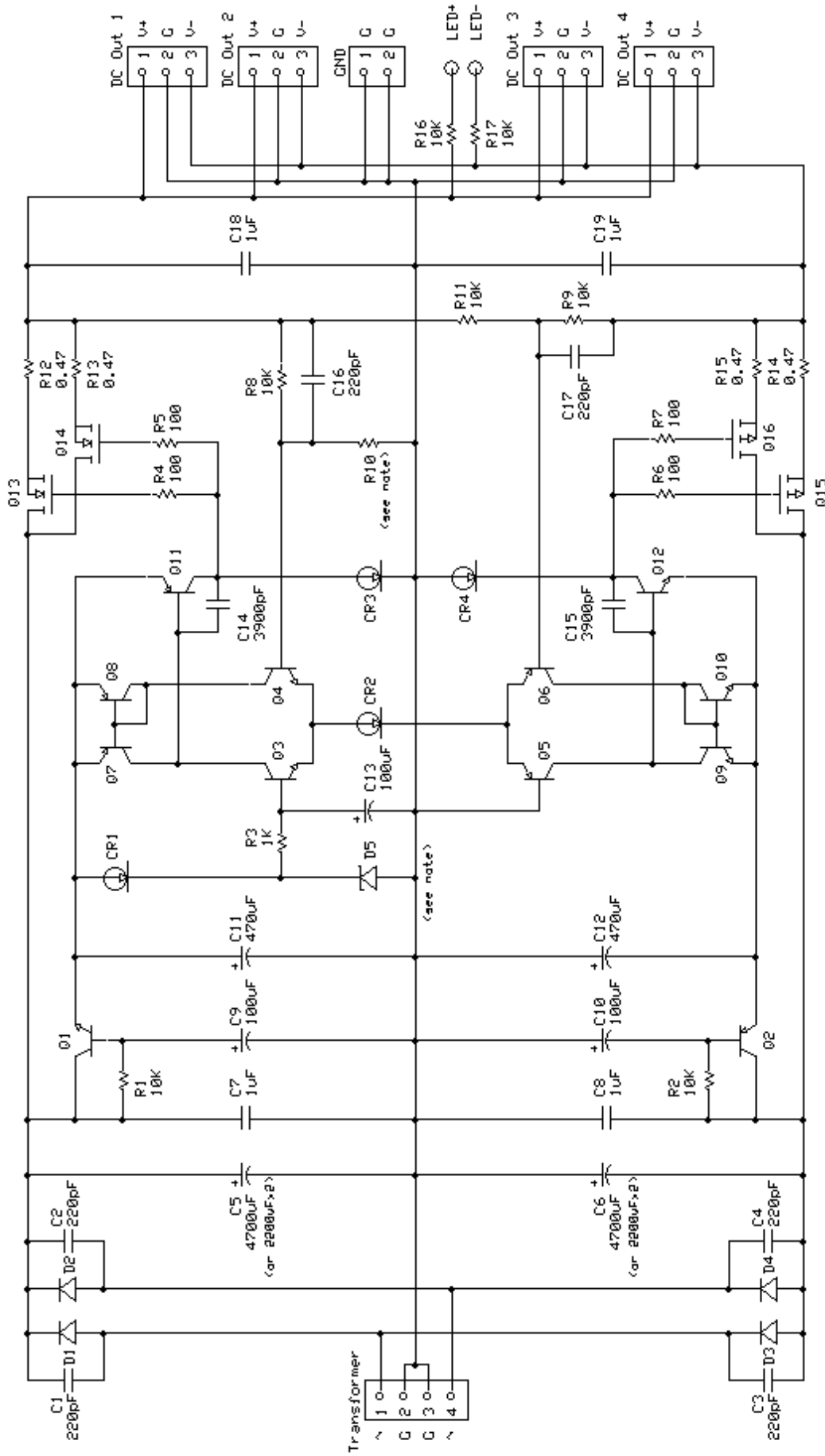


Discrete dual-rail tracking regulated power supply with MOSFET output



Notes:

- Resistors R12-R15: 2W 5% metal film or metal oxide type
- All other resistors: 1/8W 1% metal film type
- Resistor R10: 6.81K for +/-30V output, 10K for +/-24V and +/-15V
- All capacitors are rated 50V or higher unless otherwise noted
- Diodes D1-D4: MUR820 or similar
- Zener diode D5: BZX55C12 for +/-30V and +/-24V output, BZX55C7U5 for +/-15V
- Current regulating diode CR1, CR2: CR240, J508, IN5307 or E-202
- Current regulating diode CR3, CR4: CR470, J511, IN5314 or E-562
- All NPN BJTs: BC546B; all PNP BJTs: BC556B
- All N MOSFETs: IRF224N; all P MOSFETs: IRF9234N
- MOSFETs must be mounted on heatsink
- Power transformer secondary voltage (at full load):
 - + 30V+30V or 60VCT for +/-30V output
 - + 25V+25V or 50VCT for +/-24V output
 - + 18V+18V or 36VCT for +/-15V output
 - + V_A rating should be selected according to target load

AMB Labs

sigma22 Regulated PSU

Copyright (C)
2006 Tj Kan

Rev 1.0
11/05/2006
PSU PCB