

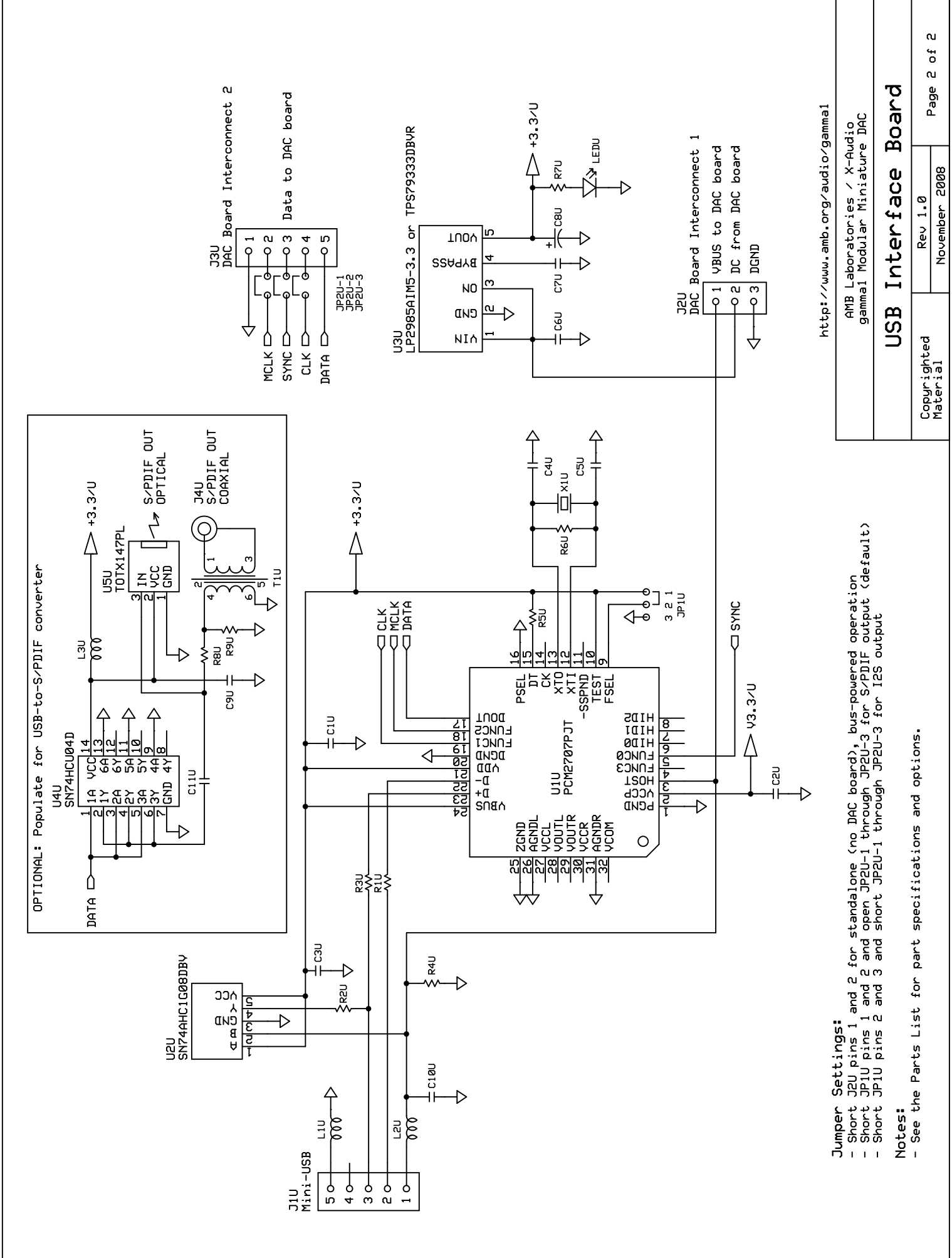
<http://www.amb.org/audio/gamma1>

AMB Laboratories / X-Audio
gamma1 Modular Miniature DAC

DAC Board

Copyrighted Material
Rev 1.0
November 2008

- Notes:**
- See the Parts List for part specifications and options.
 - If JP1U on the USB board is set for I2S output format, do not populate U2D and its associated components, and short JP1D. Otherwise, leave JP1D open.
 - You may omit U1D and hardware for external or USB power by shorting J2D pins 1-2 or 2-3, respectively. If U1D is populated, leave all positions of JP2D open.



OPTIONAL: Populate for USB-to-S/PDIF converter

- Jumper Settings:**
- Short J2U pins 1 and 2 for standalone (no DAC board), bus-powered operation
 - Short JP1U pins 1 and 2 and open JP2U-1 through JP2U-3 for S/PDIF output (default)
 - Short JP1U pins 2 and 3 and short JP2U-1 through JP2U-3 for I2S output
- Notes:**
- See the Parts List for part specifications and options.

<http://www.amb.org/audio/gamma1>

AMB Laboratories / X-Audio
gamma1 Modular Miniature DAC

USB Interface Board

Copyrighted Material

Rev 1.0
November 2008